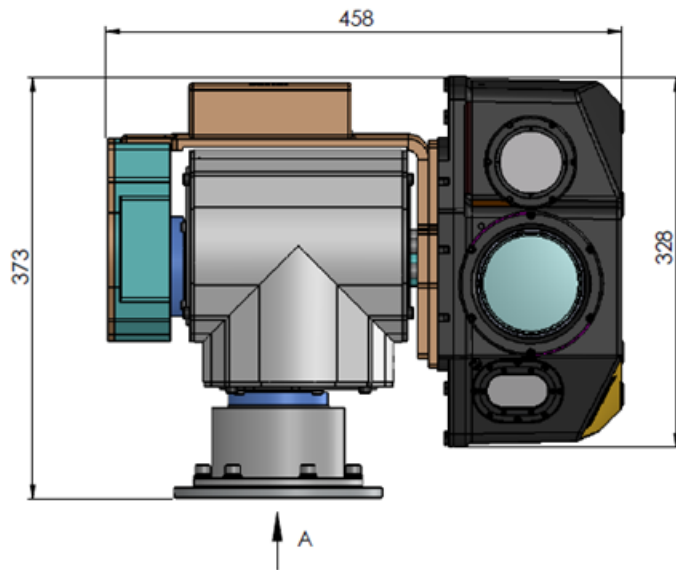
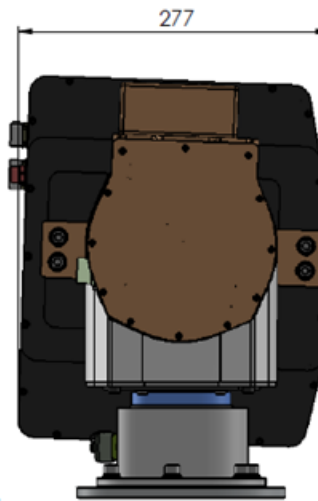


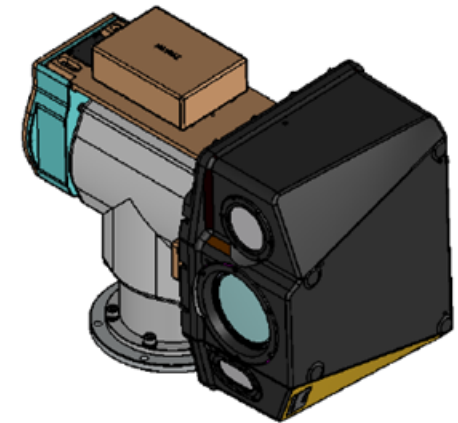
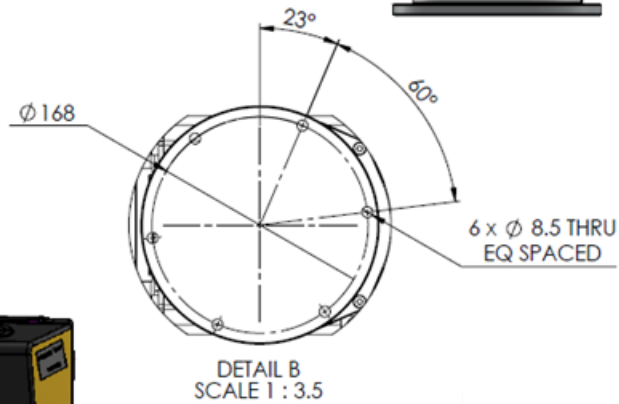
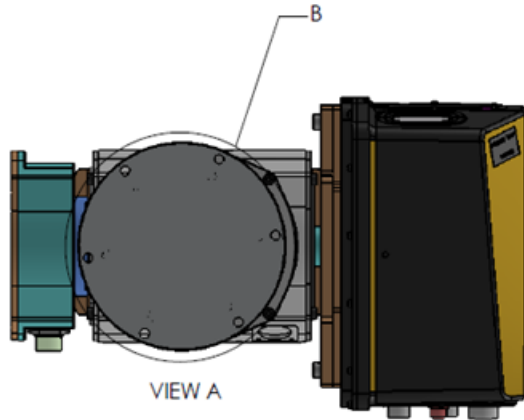
FRONT VIEW



TOP VIEW



SIDE VIEW



# AVIV BPOD

SIZE & DIMENSIONS